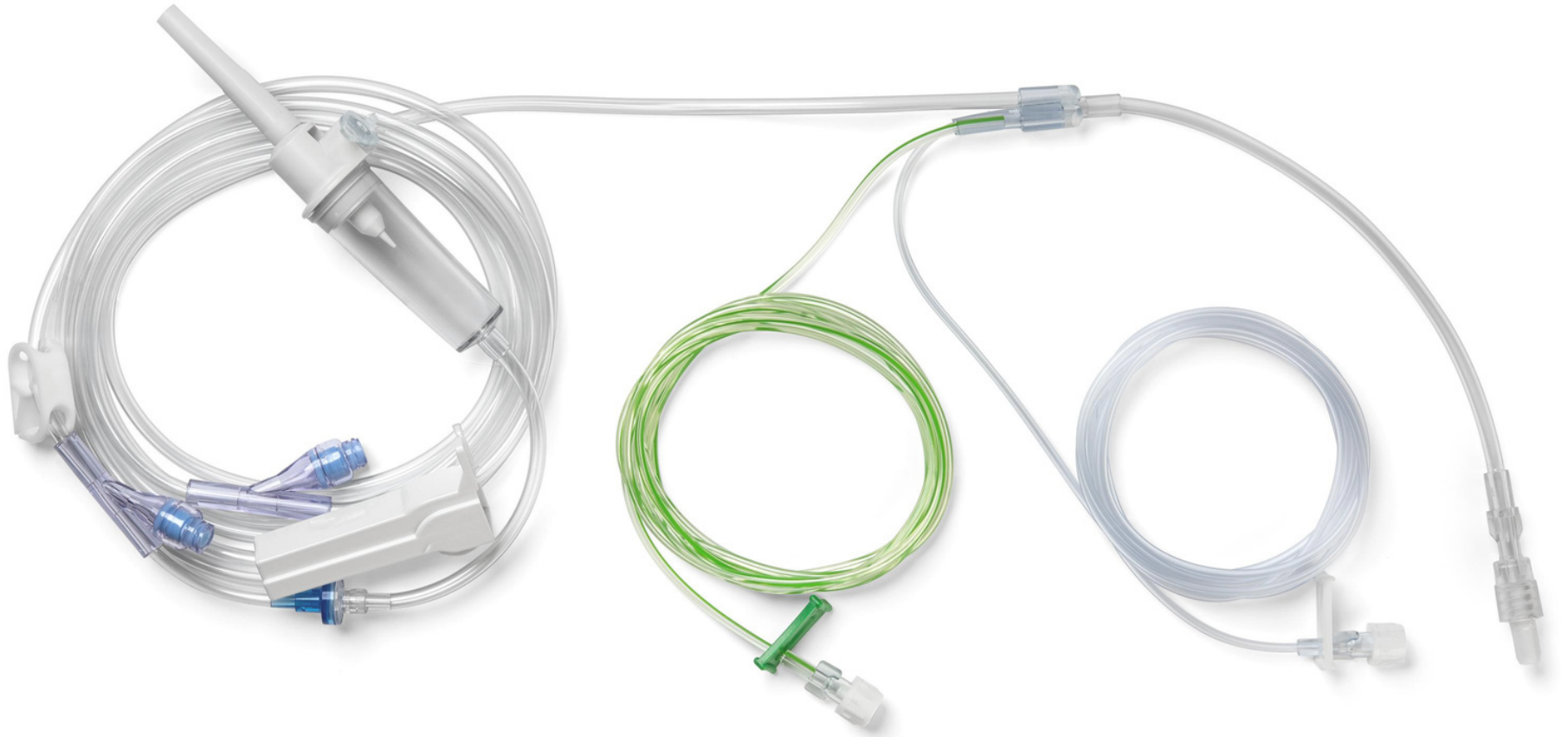




# HEALTH LINE

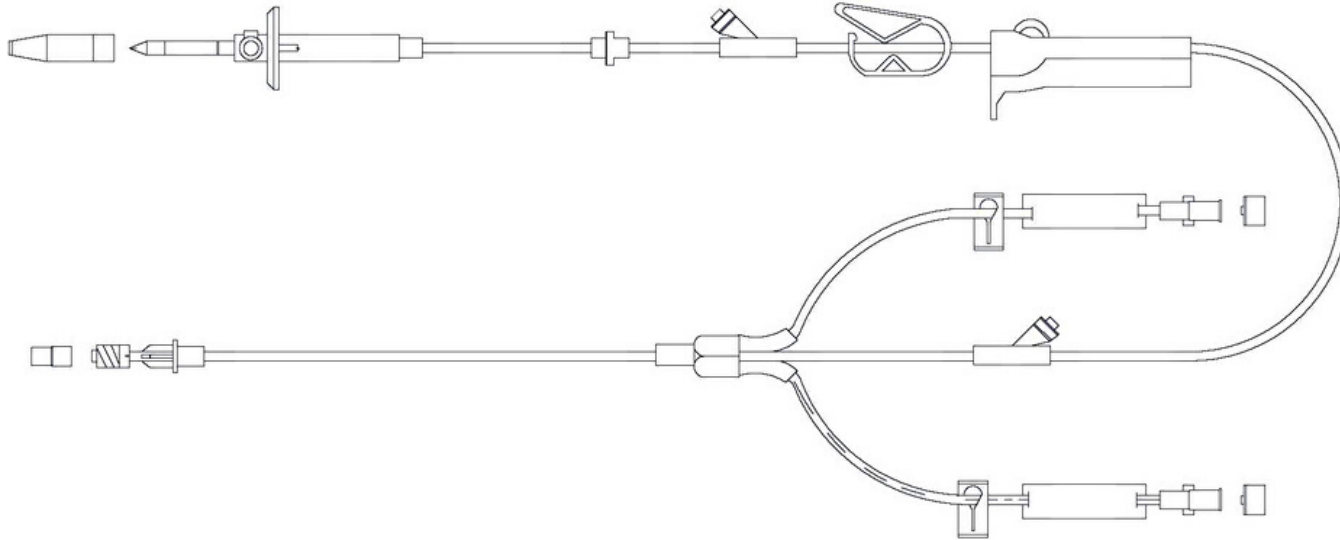
MEDICAL PRODUCTS



## Total Intravenous Anesthesia (TIVA) Sets

Designed specifically for use in TIVA, Health Line  
TIVA sets let clinicians standardize using our "All-In-One TIVA Sets"

# Gravity IV Administration Set, with Green Striped & Clear Minibore Line



Catalogue No.	Drops per mL
HLTIVA-20	20 Drops/mL
HLTIVA-60	60 Drops/mL

- Universal spike
- Back Check Valve
- 2 Needless Injection Ports
- Pinch Clamp
- Roller Clamp
- Two Slide Clamps
- Spin Connector

Approx. Lengths:	Approx. Priming Volume:
Primary Line: 112.2 in	18.0 ml
Green Minibore Line: 71.6 in	0.85 ml
Clear Minibore Line: 71.6 in	2.0 ml

Case Quantity: 30  
Carton Quantity: 120

- The use of administration sets specifically designed for TIVA is recommended.  
Source: Guidelines for the safe practice of total intravenous anesthesia (TIVA)
- Easy to use and promotes accurate delivery of drugs introduced closer to the patient's IV access
- Helps promote patient safety with pre-attached color-coded mini-bore lines to increase the accuracy of delivery - Reduce Drug Waste
- Reduces Packaging Waste - Available in 20 drop and 60 drop per mL versions: HLTIVA-20 and HLTIVA-60
- Consider Intravenous Techniques - Instead of volatile anesthesia gases - TIVA may reduce clinician exposure as well as reduce greenhouse gases

For ordering information or for questions about our HLTIVA Sets, please contact your Health Line Sales Consultant at (877) 847-4542 or [customerservice@hlic.net](mailto:customerservice@hlic.net)